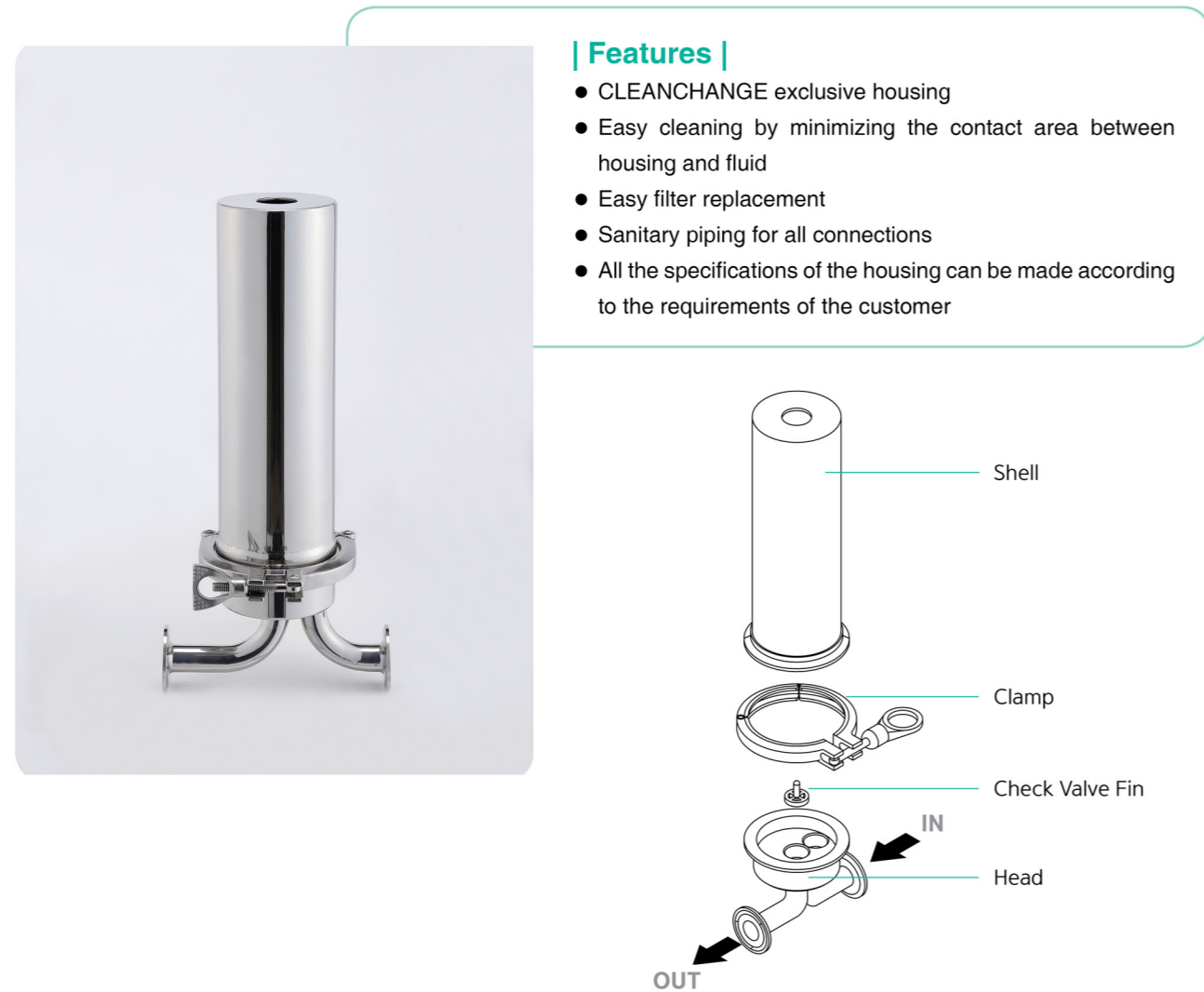


Capsule Filter Housing CH Type

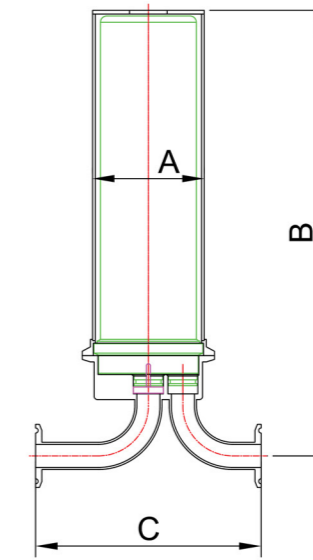
CH is a housing for exclusive use of CLEANCHANGE capsule filter. It is easy to clean because there is less contact area with fluid, and quick and convenient filter replacement is possible.



Specifications

Length of Filter (mm)	125 / 250 / 500
Max. Pressure(Kgf/cm ²)	7.5
Materials	SUS304 / SUS316L
Connection Type	Ferrule
Treatment of Surface	Buffing / EP
Remark	CLEANCHANGE only

Housing Size



Model	Type	A	B	C	Inlet / Outlet
CH05	CLEANCHANGE 5 inch	89.1	230.5	180	1S Ferrule
CH1	CLEANCHANGE 10 inch	89.1	355.5	180	"
CH2	CLEANCHANGE 20 inch	89.1	605.5	180	"

* Dimensions may vary according to production specifications.

Part Number Identification



①	②	③	④
Length of Filter	Connection Size	Materials	Treatment of Surface
05: 5 inch 1: 10 inch 2: 20 inch	() S: Ferrule	S: SUS 304 T: SUS 316L	None: Buffing E: Buffing + EP



CLEANCHANGE
(Refer to page 46 for the exclusive filter.)