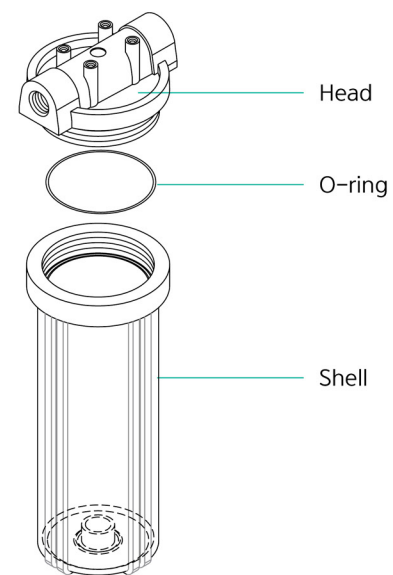


Plastic Housing AC Type

AC is a transparent acrylic housing that is lightweight and easy to install, allowing quick and convenient filter replacement. Suitable for simple filtration.



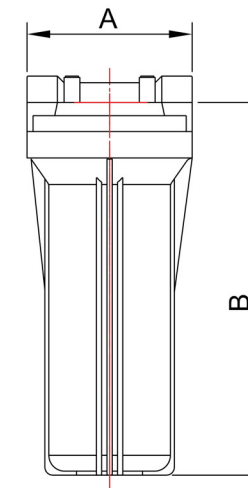
- | Features |**
- Possible to visually check the degree of contamination of filter with transparent material
 - DOE type only
 - Minimal fluid loss with internal optimization
 - High economic efficiency
 - Easy filter replacement



■ Specifications

Length of Filter (mm)	125 / 250 / 500
Max. Pressure (Kgf/cm ²)	3
Max. Temperature(°C)	60°C
Materials	Polycarbonate + Polypropylene
Seal Materials	EPDM
Connection Type	8A / 15A / 20A / 25A PT Socket
End Style of Filter	DOE

■ Housing Size



Model	Cartridge Length	A	B	Inlet / Outlet
AC5	125mm (5 Inch)	112	160	8A / 15A PT Socket
AC10 (8A,15A)	250mm (10 inch)	119	290	8A / 15A PT Socket
AC10 (20A,25A)	250mm (10 inch)	125	282	20A / 25A PT Socket
AC20	500mm (20 inch)	200	532	20A / 25A PT Socket

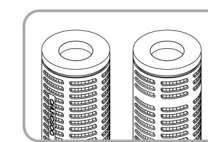
* Dimensions may vary according to production specifications.

■ Part Number Identification



①	②
Length of Filter	Connection Size
05: 5 inch	8A
10: 10 inch	15A
20: 20 inch	20A
	25A

■ Adaptor Style



DOE

■ Accessory



AC+PP Handle



Bracket