

CAPSULE

DISC CAPSULE

CPMD is equipped with DISC type mesh medium in P.P container, suitable for small capacity filtration and can be used quickly and conveniently without separate housing.



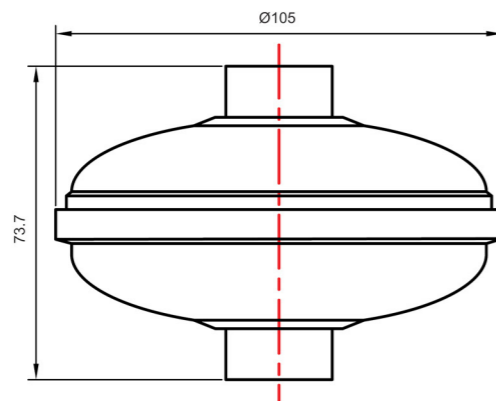
Features

- Suitable for small capacity filtration
- Various media can be applied
- Compact size minimizes fluid loss
- Easy filter replacement
- Complete integrity check

Applications

Ink, Electronic material

Disk Capsule Size

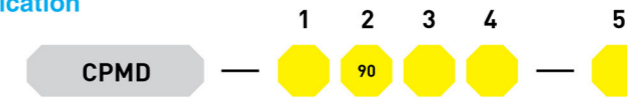


Specifications

Dimensions	Length (mm)	73.7
	Outer Diameter (mm)	105
	Fitting Size (mm)	6 / 8 / 10 / 12
Materials	Main Media	SUS Mesh
	Capsule Body	Polypropylene
	Seal	Viton
Operating Conditions	Max. Temperature(°C)	80
	Max. ΔP(Kgf/cm²)	4.0
	Inner Volume (cc)	170

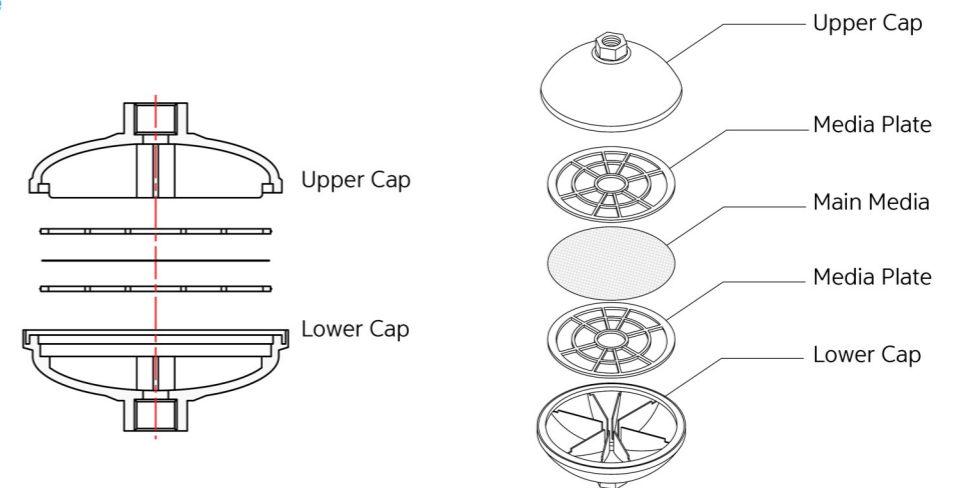
* Based on D.I Water

Part Number Identification



①	②	③		④	⑤
Media	DISC Diameter	Connection Size		Fitting Type	Mesh Size
S: Wire mesh (SUS304) SL: Wire mesh (SUS316L)	90: 90mm	Tube	06: 6mm 08: 8mm 10: 10mm 12: 12mm	E: Elbow S: Straight	#40 ~ #200
		Screw	10A: 3/8"PT	N: Nipple S: Socket	

Structure



Fitting Type

