

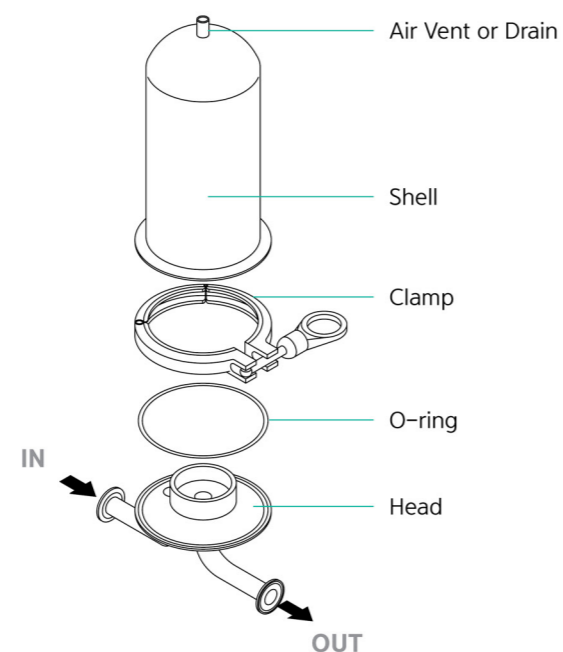
Special Size Housing MX Type

MX is a dedicated housing for MAXFLOW filter, designed to ensure more flow rate. It is easy to mount, de-mount, disassemble, clean and maintain high cleanliness and is suitable for various precise filtration.



Features

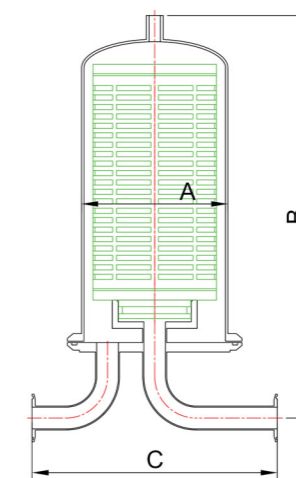
- MAXFLOW exclusive single housing
- Special design for high flow filtration
- Easy to disassemble, clean, assemble and maintain high cleanliness
- All the specifications of the housing can be made according to the requirements of the customer
- Sanitary piping for all connections



Specifications

Length of Filter (mm)	250
Max. Pressure(Kgf/cm ²)	7.5
Materials	SUS304 / SUS316L
Seal Materials	Silicone / EPDM / Viton / FEP Encapsulated
Connection Type	Ferrule
Treatment of Surface	Buffing / EP
Remark	MAXFLOW only

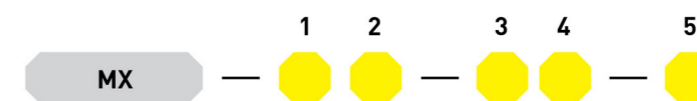
Housing Size



Model	Type	A	B	C	Inlet / Outlet
MX	MAXFLOW only	155	427	260	1.5S Ferrule

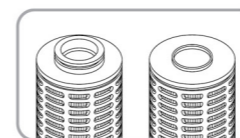
* Dimensions may vary according to production specifications.

Part Number Identification



①	②	③	④	⑤
End Style of Filter	Connection Size	Materials	Materials of Seal	Treatment of Surface & Option
E: 334 / Flat	() S: Ferrule () F: Flange	S: SUS 304 T: SUS 316L	S: Silicone E: EPDM V: Viton F: FEP Encapsulated	None: Buffing E: Buffing + EP

Adaptor Style



E : 334/Flat