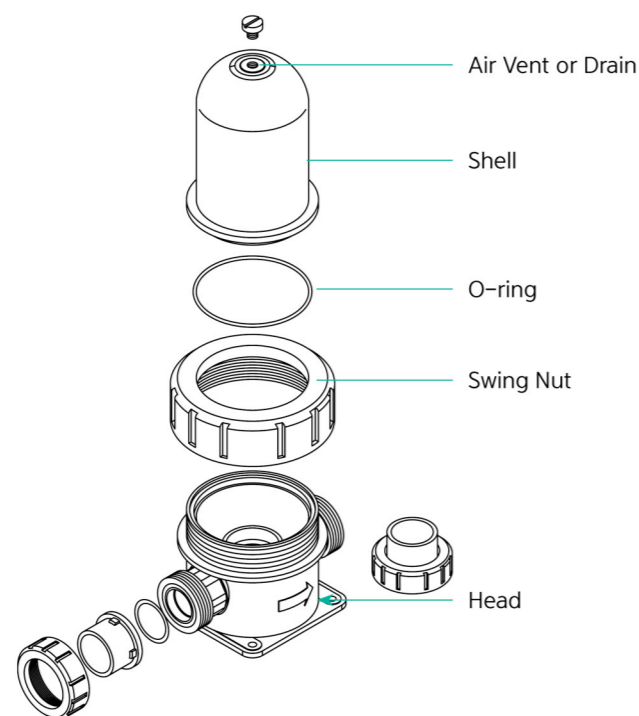


# Plastic Housing MZ Type

MZ is a high purity chemical housing dedicated to MAXFLOW and is suitable for precision filtration requiring high cleanliness.

### | Features |

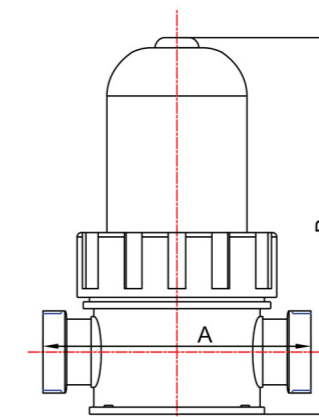
- MAXFLOW exclusive chemical housing
- Special design for high flow filtration
- Various pipe connection method
- Selectable housing material according to chemical resistance
- Suitable for industries requiring high cleanliness



### ■ Specifications

Length of Filter (mm)	250
Max. Pressure (Kgf/cm <sup>2</sup> )	4
Max. Temperature(°C)	60
Materials	C-PVC / U-PVC / PP / Acryl
Seal Materials	EPDM
Connection Type	50A Socket / 50A Union / 50A Flange
Remark	MAXFLOW only

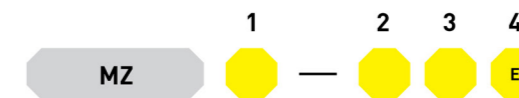
### ■ Housing Size



Model	Type	A	B	Inlet / Outlet
MZ	MAXFLOW only	306	430	50A Socket

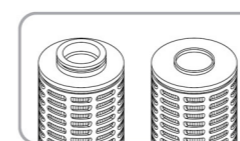
\* Dimensions may vary according to production specifications.

### ■ Part Number Identification



①	②	③	④
Materials of Head Part	Materials of Shell	Connection Size	Materials of Seal
U: UPVC C: C-PVC P: P.P	U: UPVC C: C-PVC P: P.P A: Acryl	A: 50A Socket U: 50A Union F: 50A Flange	E: EPDM

### ■ Adaptor Style



E : 334/Flat