

CAPSULE MINIFLOW

MINIFLOW has a cartridge filter built into a small capsule. It can utilize various media depending on the application. It can be used quickly and easily without a separate housing for a small amount of liquid filtration.



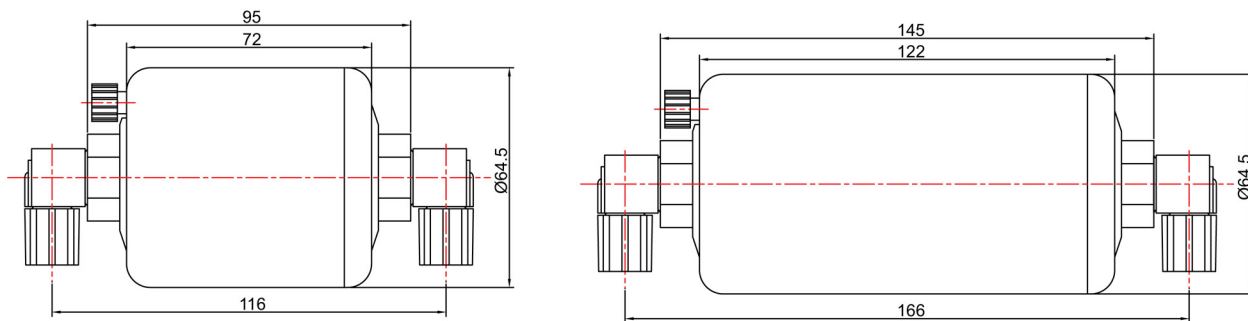
Features

- Suitable for small volume filtration
- Various media can be applied
- Compact size minimizes fluid loss
- Easy filter replacement
- Complete integrity check

Applications

Bio industry, Ink, Display color resist, Air, Gas, Electronic material

MINIFLOW Size



Specifications

| | | |
|----------------------|-------------------------------|--|
| Dimensions | Length (mm) | 95 / 145 |
| | Tube Size (mm) | 6 / 8 / 10 / 12 |
| | Outer Diameter (mm) | 64.5 |
| Materials | Main Media | PP / PES / PTFE / PVDF / Nylon / Glass |
| | Support Media | Polypropylene |
| | Capsule Body | Polypropylene |
| | Seal | Viton |
| Operating Conditions | Max. Temperature(°C) | 80 |
| | Max. ΔP(Kgf/cm ²) | 4.0 |
| | Inner Volume(cc) | 230 / 400 |

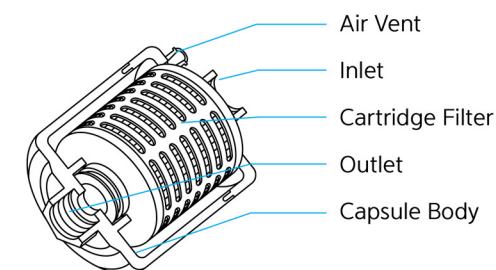
* Based on D.I Water

Part Number Identification



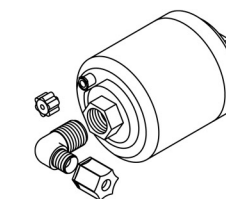
| ① | ② | ③ | ④ | ⑤ | ⑥ |
|-------|-----------|--------------|-------------------|--------------|--------------------------------------|
| Media | Tube Size | Fitting Type | Length | Grade | Micron Rating |
| CSP | 06: 6 mm | E: Elbow | 1: 95 mm Capsule | A: Absolute | Refer to table of applicable product |
| CSPA | 08: 8 mm | S: Straight | 2: 145 mm Capsule | N: Nominal | |
| CSPV | 10: 10 mm | | | PES: G / D | |
| CSCP | 12: 12 mm | | | PTFE: A / W | |
| CSPL | | | | Nylon: G / H | |
| CSPH | | | | | |
| CSPG | | | | | |
| CSPD | | | | | |
| CSPY | | | | | |
| CSPT | | | | | |
| CSPW | | | | | |

Structure



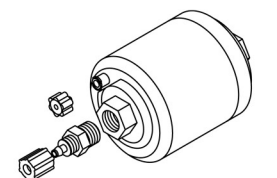
Fitting Type

ELBOW



Connector size
Ø6, Ø8, Ø10, Ø12

STRAIGHT



Connector size
Ø6, Ø8, Ø10, Ø12