


# CAPSULE CLEANCHANGE

CLEANCHANGE is a type with one Ø68 cartridge filter inside the P.P material container. It is suitable for filtration of various paints, slurries and solvents. It is possible to change the filter quickly and conveniently.



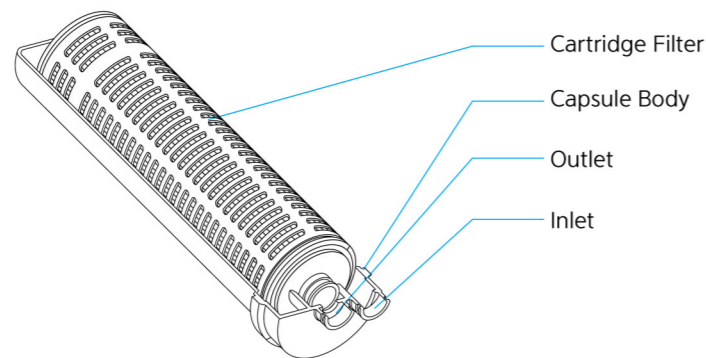
**| Features |**

- Easy filter replacement
- Selectable length depending on filtration amount
- Various media can be applied
- Complete integrity check
- Prevent incorrect filter mounting
- Minimize liquid loss

**| Applications |**

MLCC(Multi layer ceramic condenser) slurry, CMP slurry, Electronic ink, Secondary battery electrode process, Paste, Ferrite

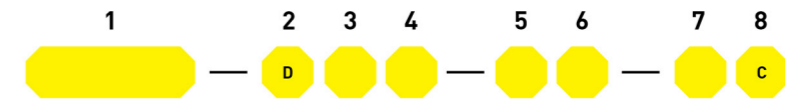
**Structure**



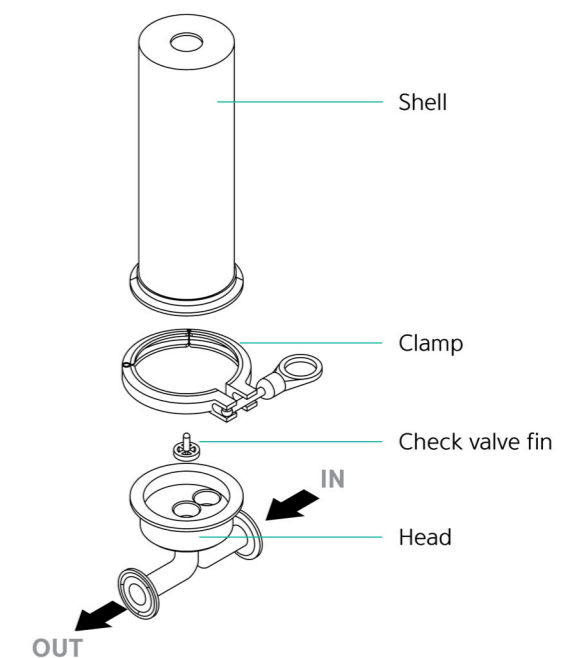
**Specifications**

Dimensions	Length (mm)	295	
	Outer Diameter (mm)	76.5	
Materials	Main Media	PP / PES / PTFE / PVDF / Nylon / Glass(Fiber) / Cotton(Yarn)	
	Support Media	Polypropylene	
	Capsule Body	Polypropylene	
	Seal	Silicone / EPDM / Viton	
Operating Conditions	Max. Temperature(°C)	80	* Based on D.I Water
	Max. ΔP(Kgf/cm <sup>2</sup> )	4.0	

**Part Number Identification**



①	②	③	④	⑤	⑥	⑦	⑧
Media	Filter Type	Air Vent	Materials of Seal	Length of Filter	Grade	Micron Rating	Capsule Size
CSP	D: Disposable	V: O	S: Silicone	1: 250mm	A: Absolute N: Nominal PES: G / D PTFE: A / W Nylon: G / H	Refer to table of applicable product	C : CLEANCHANGE
CSPA		Z: X	E: EPDM	2: 500mm			
CSPV			V: Viton	6: 125mm			
CSCP							
CSPL							
CSPH							
CSSB							
CSPG							
CSPD							
CSPY							
CSPT							
CSPW							



CH Type (Refer to page 92 for the exclusive housing.)