


CAPSULE MULTIFLOW

MULTIFLOW is a large-capacity capsule filter with seven filter cartridges built into a PP material container. It is suitable for filtration of various paints and solvents and can be replaced quickly and conveniently.



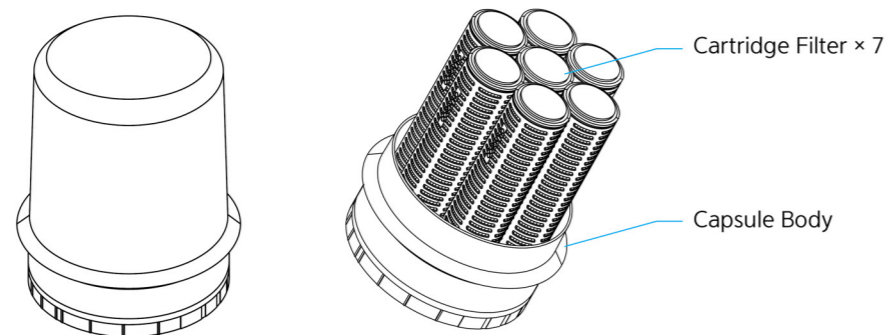
| Features |

- Large capacity capsule filter
- Easy filter replacement
- Various media can be applied
- Complete integrity check

| Applications |

Film, Coating, Binder material, Solvent, Magnetic paint, General industry

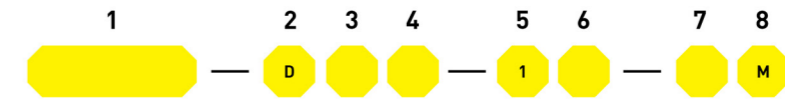
Structure



Specifications

Dimensions	Length (mm)	250
	Outer Diameter (mm)	240
Materials	Main Media	PP / PES / PTFE / PVDF / Nylon / Glass(Fiber) / Cotton(Yarn)
	Support Media	Polypropylene
	Capsule Body	Polypropylene
	Seal	Silicone / EPDM / Viton
Operating Conditions	Max. Temperature(°C)	80
	Max. ΔP(Kgf/cm ²)	4.0
		* Based on D.I Water

Part Number Identification



①	②	③	④	⑤	⑥	⑦	⑧
Media	Filter Type	Air Vent	Materials of Seal	Length of Filter	Grade	Micron Rating	Capsule Size
CSW	D: Disposable	V: O	S: Silicone	1: 250mm	A: Absolute	Refer to table of applicable product	M: MULTI
CSN		Z: X	E: EPDM		N: Nominal		
CSP			V: Viton		PES: G / D		
CSPA					PTFE: A / W		
CSPV					Nylon: G / H		
CSCP							
CSPL							
CSPH							
CSSB							
CSPG							
CSPD							
CSPY							
CSPT							
CSPW							



MH Type (Refer to page 96 for the exclusive housing.)