

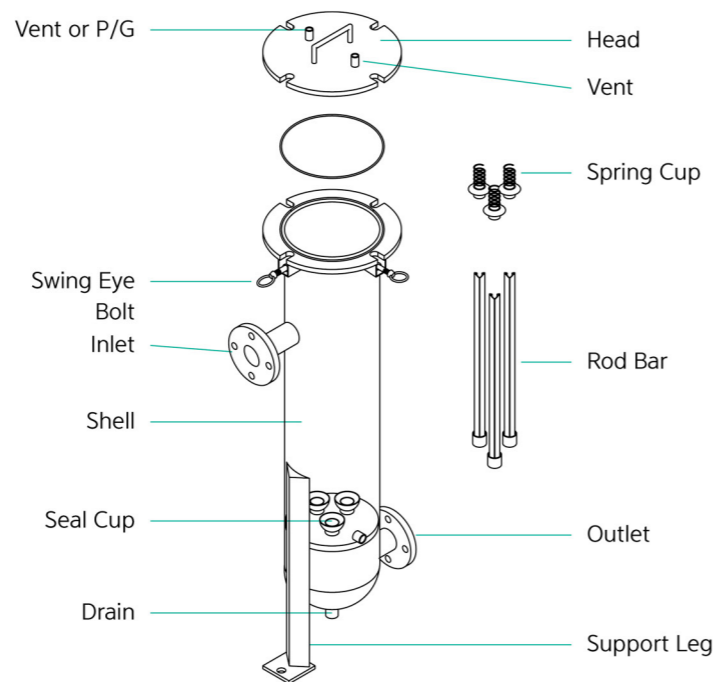
Multi Housing SL Type

SL is a multi-housing that can be fitted with multiple cartridge filters and is suitable for large-volume filtration. It is possible to select the number and length of filters according to the filtration amount. All specifications can be made according to the request of the customer.



Features

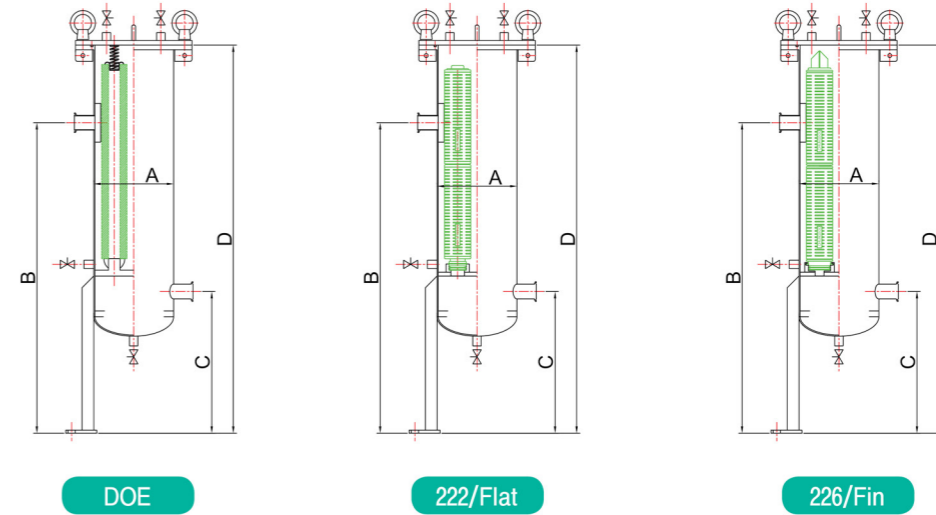
- Special design for high flow filtration
- Broad application areas
- Select the number and length of filters according to the flow rate
- All the specifications of the housing can be made according to the requirements of the customer
- Excellent durability



Specifications

Length of Filter (mm)	250 / 500 / 750
Max. Pressure(Kgf/cm ²)	7.5
Materials	SUS304 / SUS316L
Seal Materials	Silicone / EPDM / Viton / FEP Encapsulated
Connection Type	Ferrule / Flange / Socket
Treatment of Surface	Buffing / EP
End Style of Filter	DOE / Code E/O / Code 3 / Code 7 / Code 8

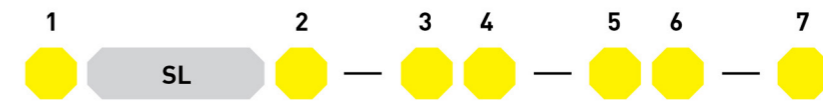
Housing Size



Model	Cartridge Q'ty	A	B	C	D	Inlet / Outlet
3SL1	250mm x 3	206	650	365	750	Ferrule, Socket, Flange
3SL2	500mm x 3	206	800	365	1000	"
3SL3	750mm x 3	206	1050	365	1250	"
6SL2	500mm x 6	256	800	365	1000	"
6SL3	750mm x 6	256	1050	365	1250	"
9SL2	500mm x 9	306	840	390	1040	"
9SL3	750mm x 9	306	1090	390	1290	"

* Dimensions may vary according to production specifications.

Part Number Identification



①	②	③	④	⑤	⑥	⑦
Number of Cartridges	Length of Filter	End Style of Filter	Connection Size	Materials	Materials of Seal	Treatment of Surface
3	1: 10 inch	1C: DOE (Standard)	() S: Ferrule	S: SUS 304	S: Silicone	None: Buffing
6	2: 20 inch	1E: DOE (Individual mount)	() A: Socket	T: SUS 316L	E: EPDM	E: Buffing + EP
9	3: 30 inch	3C: 222/Flat EO: E/O(222/Flat) 7C: 226/Fin 8C: 222/Fin	() F: Flange		V: Viton F: FEP Encapsulated	

Adaptor Style

