

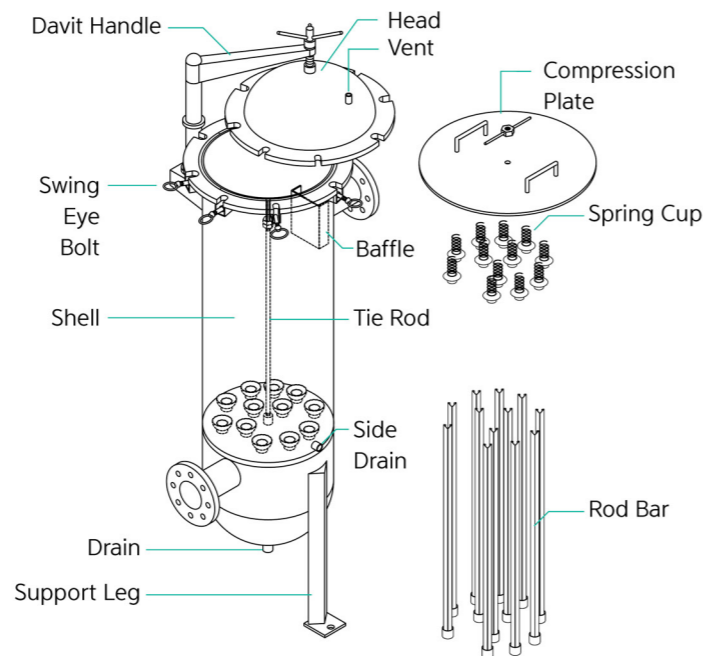
Multi Housing SLD Type

SLD is a multi-housing that can be fitted with multiple cartridge filters and is suitable for large-volume filtration. The Davit Handle is also available for easy control of the housing head. You can select the number and length of filters according to the flow rate. All specifications can be made according to customer's request.



Features

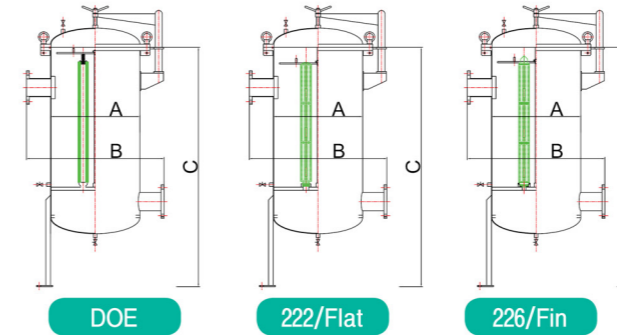
- Davit Handle makes it easy to open and close
- Special design for high flow filtration
- Select the number and length of filters according to the flow rate
- All the specifications of the housing can be made according to the requirements of the customer
- Excellent durability



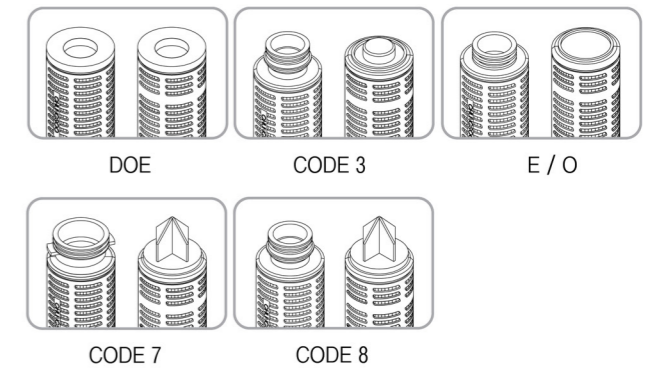
Specifications

Length of Filter (mm)	500 / 750 / 1000
Max. Pressure(Kgf/cm ²)	7.5
Materials	SUS304 / SUS316L
Seal Materials	Silicone / EPDM / Viton / FEP Encapsulated
Connection Type	Flange
Treatment of Surface	Buffing / EP
End Style of Filter	DOE / Code E/O / Code 3 / Code 7 / Code 8

Housing Size



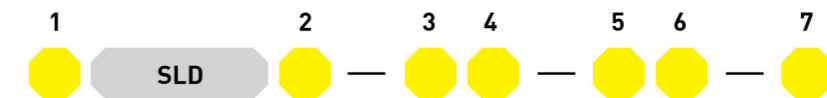
Adaptor Style



Model	Cartridge Q'ty	A	B	C	Inlet / Outlet
10SLD2	500mm x 10	306	546	1150	80A Flange
10SLD3	750mm x 10	306	546	1400	"
12SLD2	500mm x 12	356	656	1170	"
12SLD3	750mm x 12	356	656	1420	"
15SLD2	500mm x 15	400	700	1170	100A Flange
15SLD3	750mm x 15	400	700	1420	"
19SLD2	500mm x 19	456	756	1190	"
19SLD3	750mm x 19	450	756	1440	"
27SLD2	500mm x 25	500	806	1240	"
27SLD3	750mm x 25	500	806	1490	"
30SLD2	500mm x 30	556	856	1290	"
30SLD3	750mm x 30	556	856	1540	"
40SLD2	500mm x 40	608	908	1290	150A Flange
40SLD3	750mm x 40	608	908	1540	"
50SLD2	500mm x 50	658	958	1290	"
50SLD3	750mm x 50	658	958	1540	"
60SLD2	500mm x 60	710	1010	1290	"
60SLD3	750mm x 60	710	1010	1540	"
70SLD2	500mm x 70	760	1060	1290	"
70SLD3	750mm x 70	760	1060	1540	"
80SLD3	750mm x 80	810	1110	1600	200A Flange
90SLD3	750mm x 90	862	1162	1600	"
100SLD3	750mm x 100	912	1212	1600	"

* Dimensions may vary according to production specifications.

Part Number Identification



①	②	③	④	⑤	⑥	⑦
Number of Cartridges	Length of Filter	End Style of Filter	Connection Size	Materials	Materials of Seal	Treatment of Surface
10	2: 20 inch	1C: DOE (Standard)	() F: Flange	S: SUS 304	S: Silicone	None: Buffing
12	3: 30 inch			T: SUS 316L	E: EPDM	E: Buffing + EP
15	4: 40 inch	1E: DOE (Individual mount)			V: Viton	
19					F: FEP Encapsulated	
27		3C: 222/Flat				
30		EO: E/O(222/Flat)				
40		7C: 226/Fin				
50		8C: 222/Fin				
60						
ECT						