

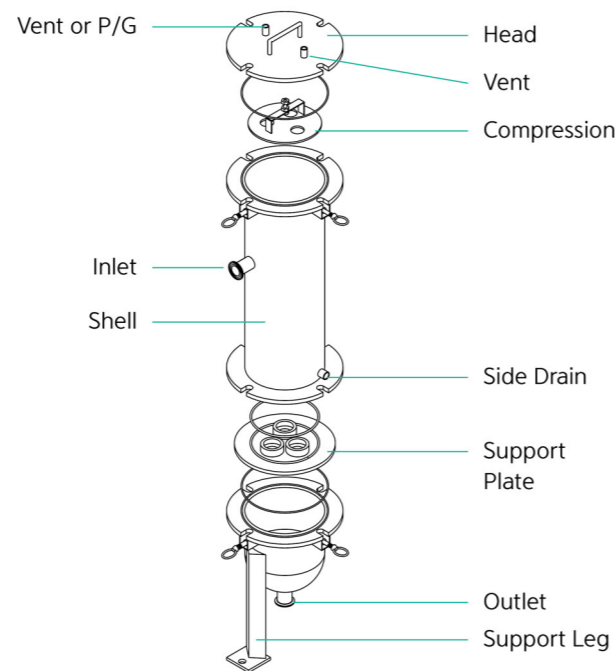
Multi Housing SLO Type

SLO is a detachable multi-housing that can accommodate multiple cartridge filters making it easy to clean and suitable for processes requiring high cleanliness.



Features

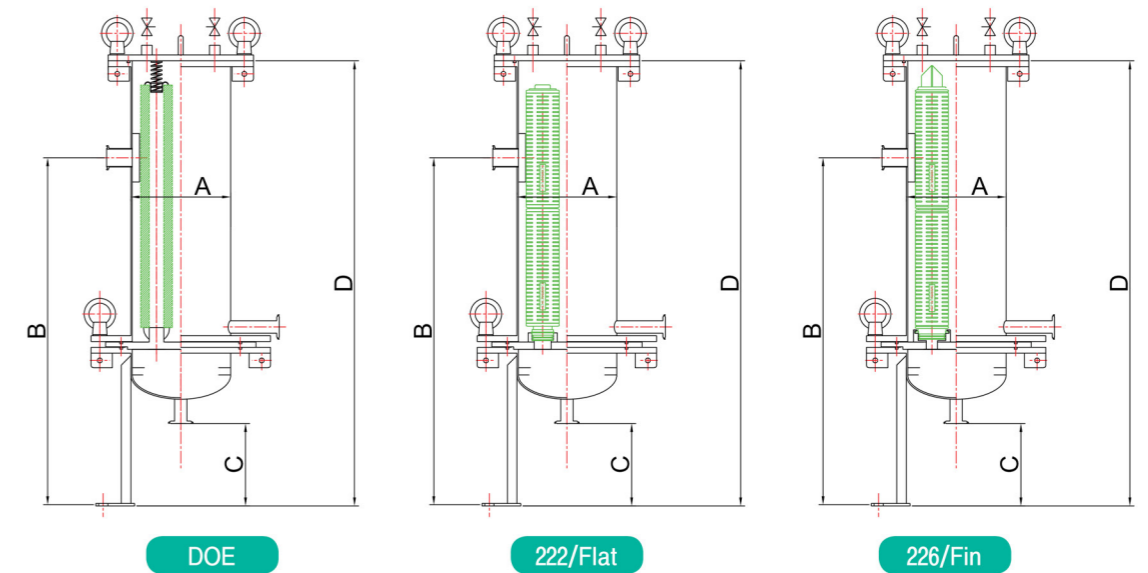
- Easy to maintain high cleanliness by decomposition cleaning
- Select the number and length of filters according to the flow rate
- All the specifications of the housing can be made according to the requirements of the customer
- Excellent durability



Specifications

Length of Filter (mm)	250 / 500
Max. Pressure(Kgf/cm ²)	7.5
Materials	SUS304 / SUS316L
Seal Materials	Silicone / EPDM / Viton / FEP Encapsulated
Connection Type	Ferrule
Treatment of Surface	Buffing / EP
End Style of Filter	DOE / Code E/O / Code 3 / Code 7 / Code 8

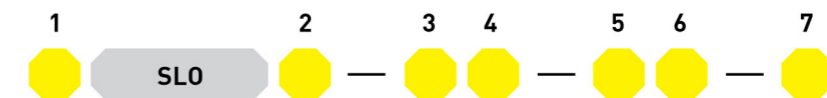
Housing Size



Model	Cartridge Q'ty	A	B	C	D	Inlet / Outlet
3SLO1	250mm x 3	206	500	200	680	1S / 1.5S Ferrule
3SLO2	500mm x 3	206	750	200	930	"
6SLO1	250mm x 6	256	500	200	680	"
6SLO2	500mm x 6	256	750	200	930	"

* Dimensions may vary according to production specifications.

Part Number Identification



①	②	③	④	⑤	⑥	⑦
Number of Cartridges	Length of Filter	End Style of Filter	Connection Size	Materials	Materials of Seal	Treatment of Surface
3	1: 10 inch	1C: DOE (Standard)	() S: Ferrule	S: SUS 304	S: Silicone	None: Buffing
6	2: 20 inch	1E: DOE (Individual mount)		T: SUS 316L	E: EPDM	E: Buffing + EP
		3C: 222/Flat			V: Viton	
		EO: E/O(222/Flat)			F: FEP	
		7C: 226/Fin			Encapsulated	
		8C: 222/Fin				

Adaptor Style

