

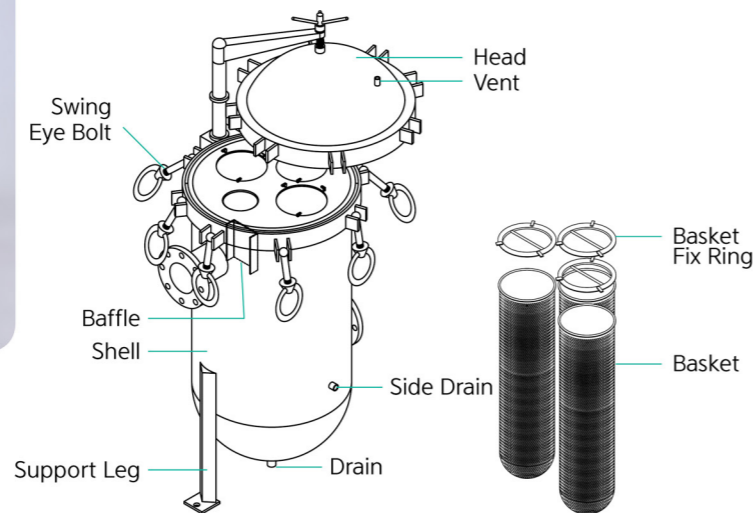
# Bag Filter Housing PCM Type

PCM is a multi-housing that can accommodate multiple bag filters and is made easy to open and close the top lid by applying Davit Handle. Easy to replace filters and suitable for pre-treatment and large flow filtration.



### Features |

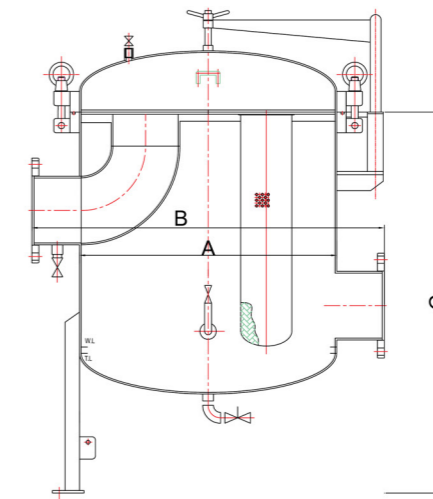
- Multi housing for bag filter
- Davit Handle makes it easy to open and close
- Easy filter replacement
- Suitable for pre-treatment and large flow filtration
- All the specifications of the housing can be made according to the requirements of the customer



### Specifications

Filter Size	P1 / P2
Max. Pressure(Kgf/cm <sup>2</sup> )	7.5
Materials	SUS304 / SUS316L
Seal Materials	Silicone / EPDM / Viton / FEP Encapsulated
Connection Type	Flange
Treatment of Surface	Buffing / EP

### Housing Size



Model	Bag Filter Q'ty	A	B	C	Inlet / Outlet
3PCM1	180Ø x 430 x 3	506	806	690	80A Flange
3PCM2	180Ø x 800 x 3	506	806	1080	80A Flange
4PCM2	180Ø x 800 x 4	556	856	1080	100A Flange
5PCM2	180Ø x 800 x 5	608	908	1100	100A Flange
6PCM2	180Ø x 800 x 6	658	958	1110	150A Flange
7PCM2	180Ø x 800 x 7	710	1010	1160	"
8PCM2	180Ø x 800 x 8	810	1110	1200	200A Flange
10PCM2	180Ø x 800 x 10	910	1210	1200	"
12PCM2	180Ø x 800 x 12	1010	1310	1240	250A Flange
16PCM2	180Ø x 800 x 16	1110	1410	1260	"

\* Dimensions may vary according to production specifications.

### Part Number Identification



①	②	③	④	⑤	⑥
Number of Bags	Filter Size	Connection Size	Materials	Materials of Seal	Treatment of Surface & Option
3	1: P1(180Øx430L)	( ) F: Flange	S: SUS 304	S: Silicone	None: Buffing
4	2: P2(180Øx800L)		T: SUS 316L	E: EPDM	E: Buffing + EP
5				V: Viton	#( ): Perforated basket mesh welding
6				F: FEP Encapsulated	
8					
10					
12					
16					