

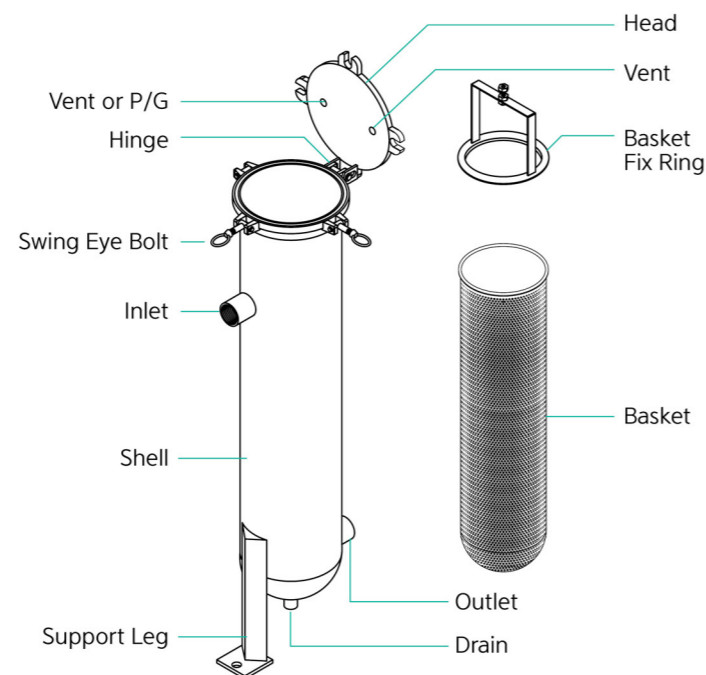
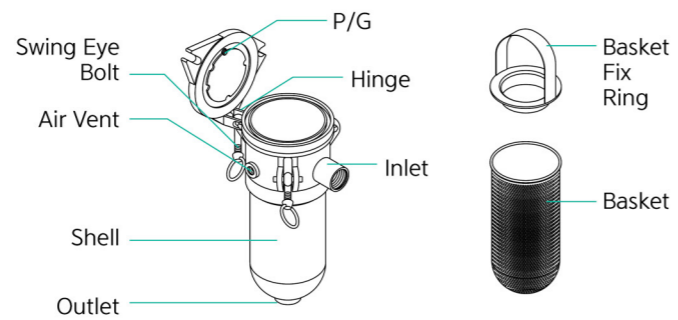
Bag Filter Housing 1PC Type

1PC is a single bag filter housing that is easy to replace filters and suitable for pre-treatment and large flow filtration.



| Features |

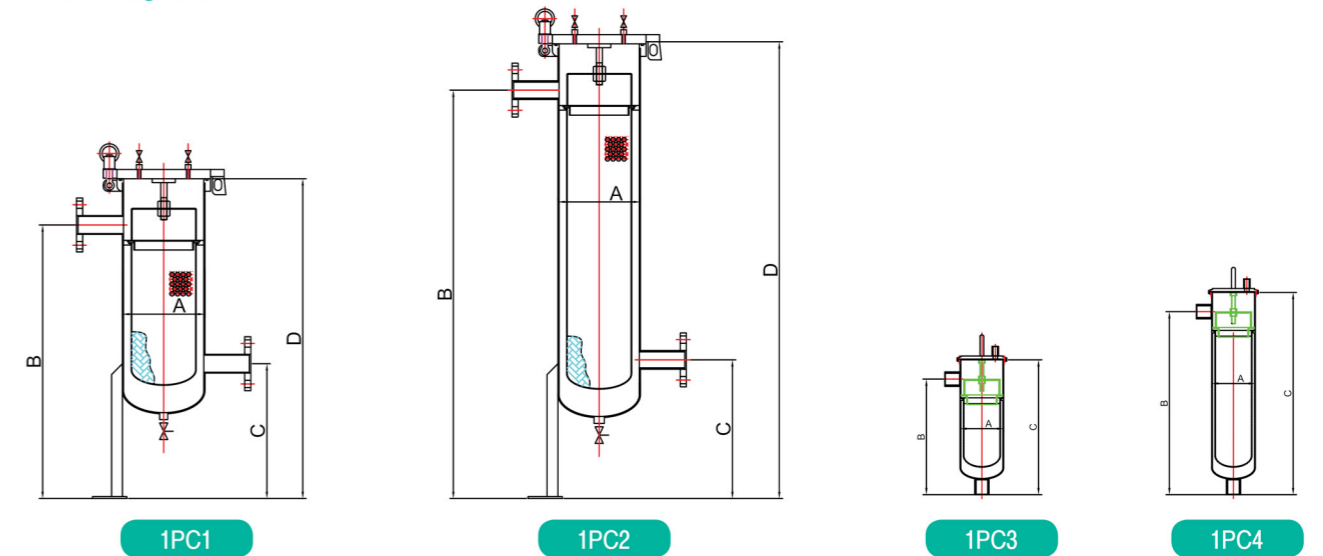
- Single housing for bag filter
- Suitable for pre-treatment and large flow filtration
- Easy filter replacement
- All the specifications of the housing can be made according to the requirements of the customer
- Excellent durability



■ Specifications

Filter Size	P1 / P2 / P3 / P4
Max. Pressure(Kgf/cm ²)	7.5
Materials	SUS304 / SUS316L
Seal Materials	Silicone / EPDM / Viton / FEP Encapsulated
Connection Type	Ferrule / Flange / Socket
Treatment of Surface	Buffing / EP

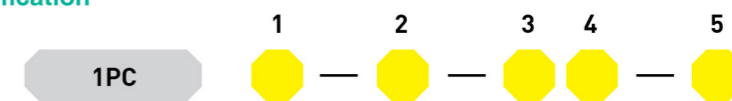
■ Housing Size



Model	Bag Filter Q'ty	A	B	C	D	Inlet / Outlet
1PC1	180Ø × 430 × 1	216	710	360	830	40A Flange
1PC2	180Ø × 800 × 1	216	1060	360	1180	"
1PC3	105Ø × 220 × 1	114	260	320		25A Socket
1PC4	105Ø × 390 × 1	114	435	495		"

* Dimensions may vary according to production specifications.

■ Part Number Identification



①	②	③	④	⑤
Filter Size	Connection Size	Materials	Materials of Seal	Treatment of Surface & Option
1: P1(180Ø x 430L) 2: P2 (180Ø x 800L) 3: P3 (105Ø x 220L) 4: P4 (105Ø x 390L)	() A: Socket () S: Ferrule () F: Flange	S: SUS 304 T: SUS 316L	S: Silicone E: EPDM V: Viton F: FEP Encapsulated	None: Buffing E: Buffing + EP #(): Perforated basket mesh welding