

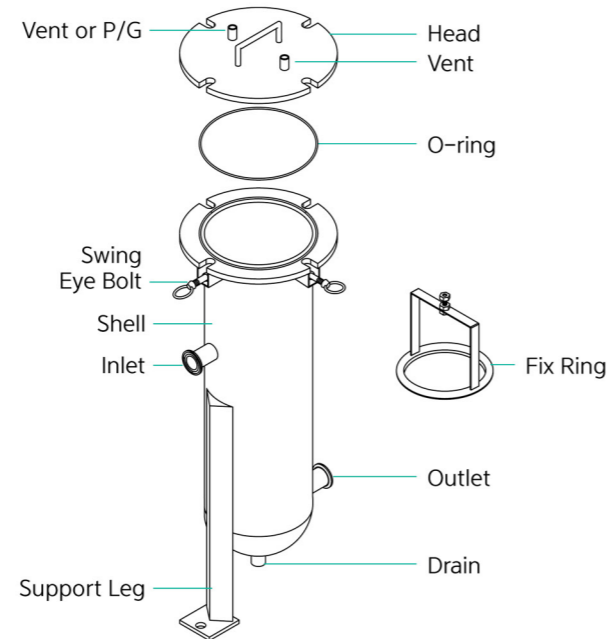
Special Size Housing ZH Type

ZH is a single housing for Z-FLOW filter, which is easy to replace filters and suitable for high flow filtration.



Features

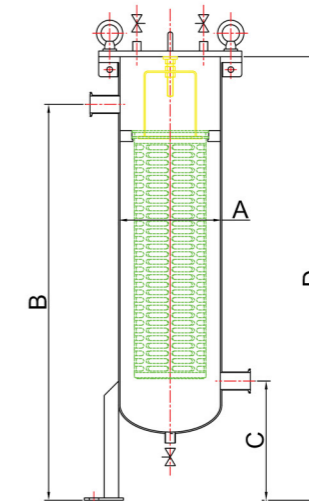
- Z-FLOW exclusive single housing
- Special design for high flow filtration
- Easy filter replacement
- Flow direction can be changed according to process
- All the specifications of the housing can be made according to the requirements of the customer



Specifications

Length of Filter (mm)	250 / 500/ 750 / 1000
Max. Pressure(Kgf/cm ²)	7.5
Materials	SUS304 / SUS316L
Seal Materials	Silicone / EPDM / Viton / FEP Encapsulated
Connection Type	Ferrule / Flange
Treatment of Surface	Buffing / EP
Remark	Z-FLOW only

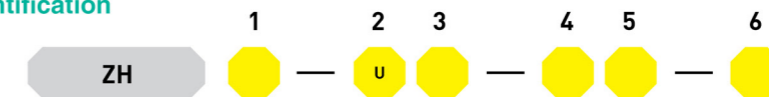
Housing Size



Model	Type	A	B	C	D	Inlet / Outlet
ZH1	Z-FLOW 10 inch	216.3	580	250	680	40A Flange
ZH2	Z-FLOW 20 inch	216.3	830	250	930	50A Flange
ZH3	Z-FLOW 30 inch	216.3	1080	250	1180	80A Flange
ZH4	Z-FLOW 40 inch	216.3	1330	250	1430	80A Flange

* Dimensions may vary according to production specifications.

Part Number Identification



①	②	③	④	⑤	⑥
Length of Filter	End Style of Filter	Connection Size	Materials	Materials of Seal	Treatment of Surface
05: 5 inch	U: U Cup	() S: Ferrule	S: SUS 304	S: Silicone	None: Buffing
1: 10 inch		() F: Flange	T: SUS 316L	E: EPDM	E: Buffing + EP
2: 20 inch				V: Viton	
3: 30 inch				F: FEP Encapsulated	

Adaptor Style



U : U-cup