

Capsule Filter Housing MH Type

MH is a housing for exclusive use of MULTIFLOW capsule filter. It is easy to clean because there is less contact area with fluid, and quick and convenient filter replacement is possible.



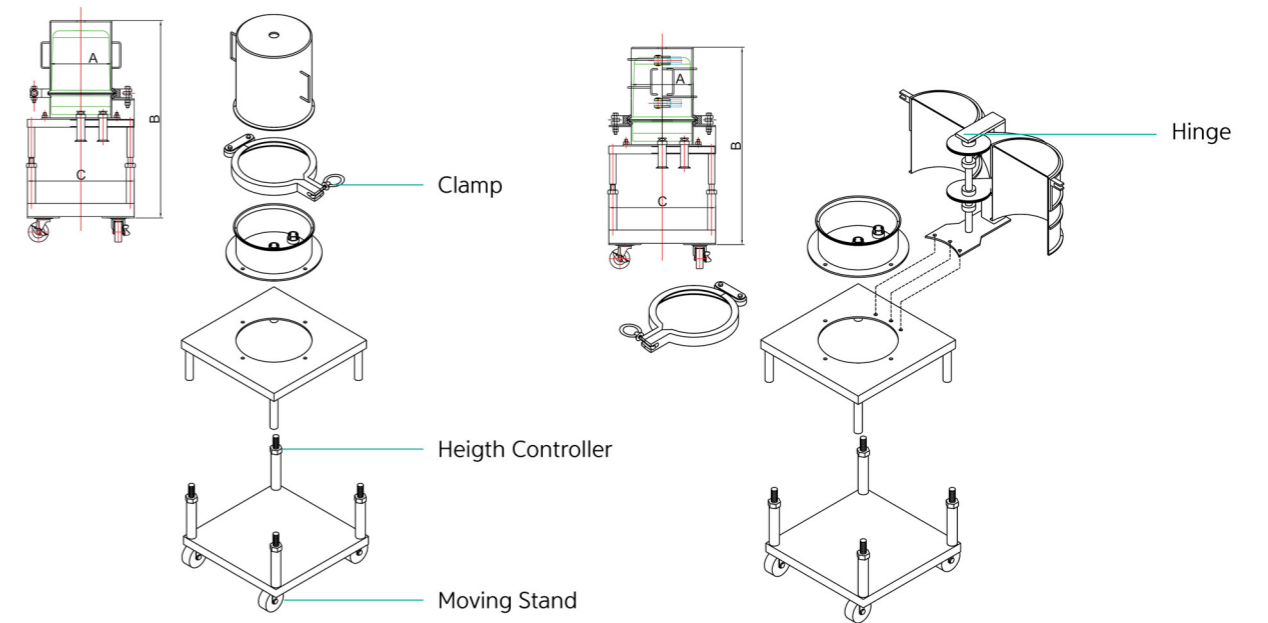
| Features |

- MULTIFLOW exclusive housing
- Easy cleaning by minimizing the contact area between housing and fluid
- Easy filter replacement
- Sanitary piping for all connections
- All the specifications of the housing can be made according to the requirements of the customer

■ Specifications

Length of Filter (mm)	250
Max. Pressure(Kgf/cm ²)	7.5
Materials	SUS304 / SUS316L
Connection Type	Ferrule
Treatment of Surface	Buffing / EP / PTFE coating
Remark	MULTIFLOW only

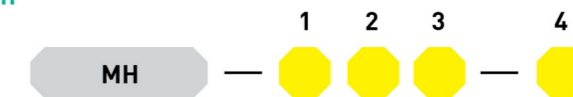
■ Housing Size



Model	Type	A	B	C	Inlet / Outlet
MH	MULTIFLOW only	232	740	400	1.5S Ferrule

* Dimensions may vary according to production specifications.

■ Part Number Identification



①	②	③	④
Connection Size	Materials	Open Style	Treatment of Surface
() S: Ferrule	S: SUS 304	1: Standard	None: Buffing
() F: Flange	T: SUS 316L	2: Symmetrical open type	C: PTFE Coating



MULTIFLOW
(Refer to page 44 for the exclusive filter.)