

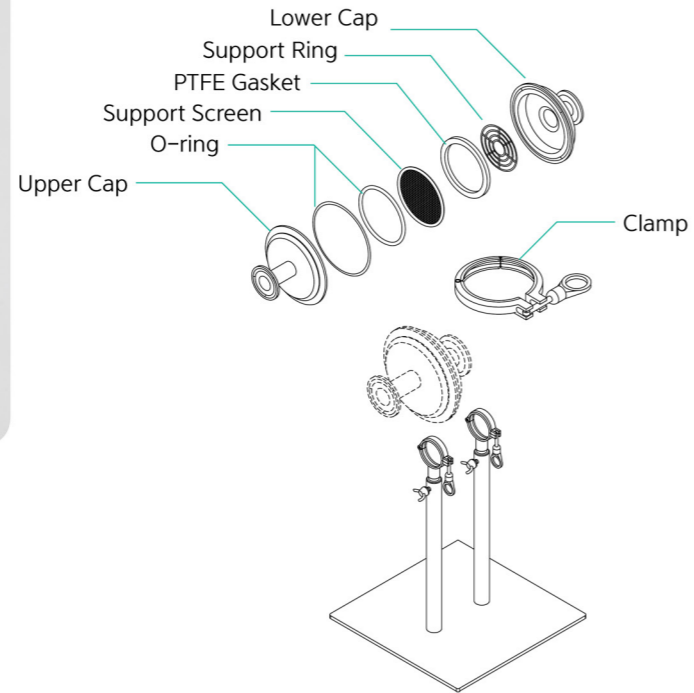
## Metal Disc Housing DH Type

DH is a dedicated housing for METALDISC and is suitable for harsh environments such as high temperature, high pressure and high viscosity. It can be manufactured according to the specification from small capacity filtration to large capacity filtration.



### Features

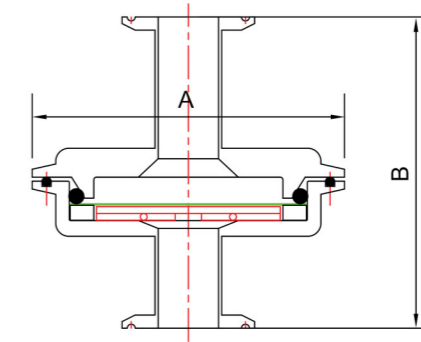
- Can be widely used from experimental to production
- Minimal fluid loss with internal optimization
- Easy to maintain high cleanliness by separating and cleaning
- Excellent durability
- All the specifications of the housing can be made according to the requirements of the customer



### Specifications

DISC Size	Custom made to customer's request
Max. Pressure(Kgf/cm <sup>2</sup> )	7.5
Materials	SUS304 / SUS316L
Connection Type	Ferrule / Flange
Treatment of Surface	Buffing / EP
Remark	METALDISC only

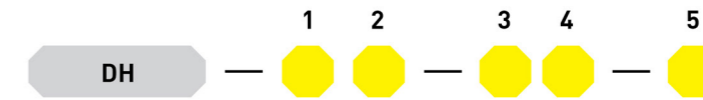
### Housing Size



Model	Type	A	B	Inlet / Outlet
DH TYPE	METALDISC Only	120 - 240 (4S - 8S Sanitary Standard)	-	1.5S Ferrule

\* Dimensions may vary according to production specifications.

### Part Number Identification



①	②	③	④	⑤
DISC Diameter	Connection Size	Materials	Materials of Seal	Treatment of Surface & Option
( ) Ø : Custom made to customer's request	( ) S: Ferrule ( ) F: Flange	S: SUS 304 T: SUS 316L	S: Silicone E: EPDM V: Viton F: FEP Encapsulated	None: Buffing E: Buffing + EP