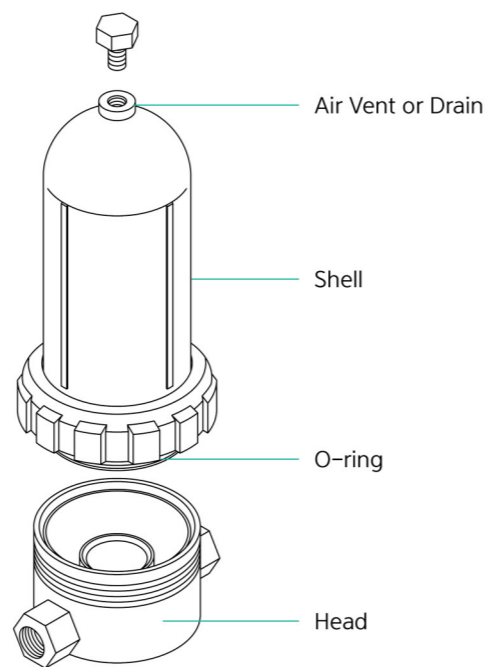


Plastic Housing NCP Type

NCP is made of Natural PP material and suitable for industries requiring chemical resistance and high cleanliness.



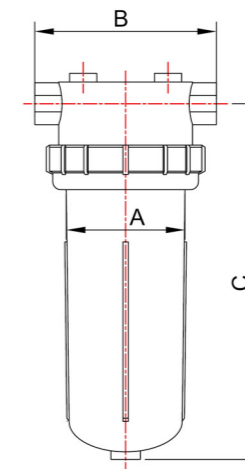
- Features**
- Housing Made of Natural PP material
 - 100% polypropylene material with excellent chemical resistance
 - 222/Flat type only
 - Suitable for industries requiring high cleanliness
 - Built-in housing accessories (Bracket, Handle)



Specifications

Length of Filter (mm)	250 / 500
Max. Pressure (Kgf/cm ²)	4
Max. Temperature(°C)	60
Materials	Polypropylene
Seal Materials	EPDM / Viton / FEP Encapsulated
Connection Type	20A NPT Socket
End Style of Filter	Code E/O / Code 3

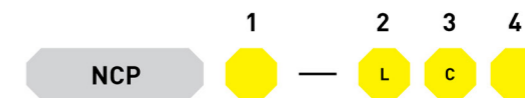
Housing Size



Model	Cartridge Length	A	B	C	Inlet / Outlet
NCP10	250mm (10 inch)	109	167	327	20A NPT Socket
NCP20	500mm (20 inch)	109	167	577	20A NPT Socket

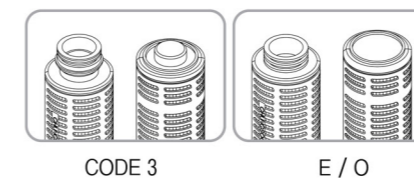
* Dimensions may vary according to production specifications.

Part Number Identification



①	②	③	④
Length of Filter	Connection Size	End Style of Filter	Materials of Seal
10: 10 inch 20: 20 inch	L: 20A NPT Socket	C: 222 O-ring	E: EPDM V: Viton F : FEP Encapsulated

Adaptor Style



Accessory

