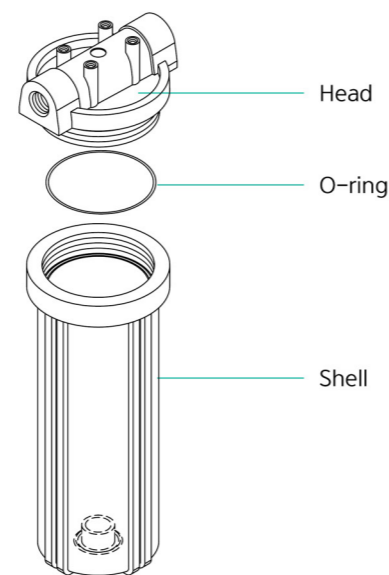


# Plastic Housing PP Type

PP is a polypropylene housing with excellent chemical resistance and applicable to a wide range of industrial applications.

### | Features |

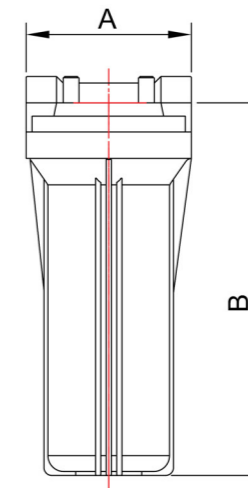
- 100% polypropylene material with excellent chemical resistance
- DOE type only
- Minimal fluid loss with internal optimization
- High economic efficiency
- Easy filter replacement



### ■ Specifications

Length of Filter (mm)	250 / 500
Max. Pressure (Kgf/cm <sup>2</sup> )	4
Max. Temperature(°C)	60°C
Materials	Polypropylene
Seal Materials	EPDM
Connection Type	8A / 15A / 20A / 25A PT Socket
End Style of Filter	DOE

### ■ Housing Size



Model	Cartridge Length	A	B	Inlet / Outlet
PP10	250mm (10 inch)	119	290	8A / 15A PT Socket
PP20	500mm (20 inch)	133	532	20A / 25A PT Socket

\* Dimensions may vary according to production specifications.

### ■ Part Number Identification



①	②
Length of Filter	Connection Size
10: 10 inch	8A 15A
20: 20 inch	20A 25A

### ■ Adaptor Style



DOE

### ■ Accessory



AC+PP Handle



Bracket